

# ADLIS

SMART BENCH  
SMART CONTAINER  
SMART HOME  
SMART SECURITY

# WEIYIN

TECHNOLOGY

DATA SHEET: WYC1902



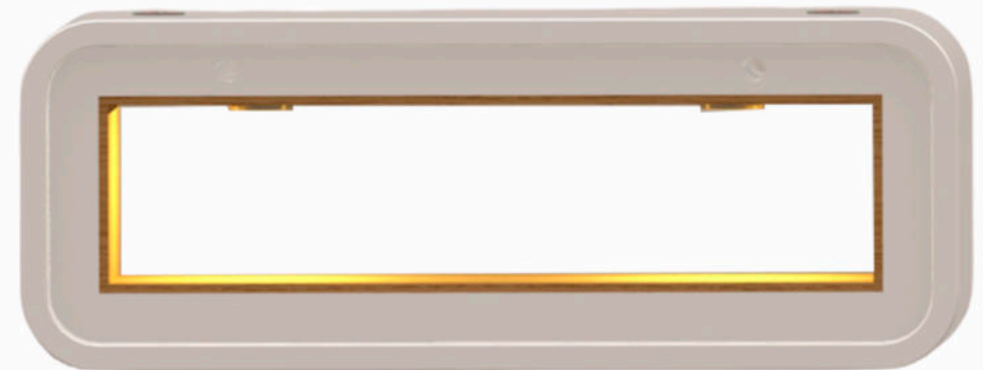
**ECOLOGY**  
Decreasing energy consumption and the CO2 emission



**SOLAR ENERGY**  
Our smart benches are powered by clear solar energy



**Led light**  
Flexible strip light



**INDUCTIVE CHARGER**  
Our solar benches are equipped with wireless charger




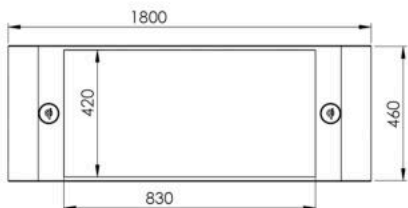
**WIFI INTERNET**  
Free internet access while charging



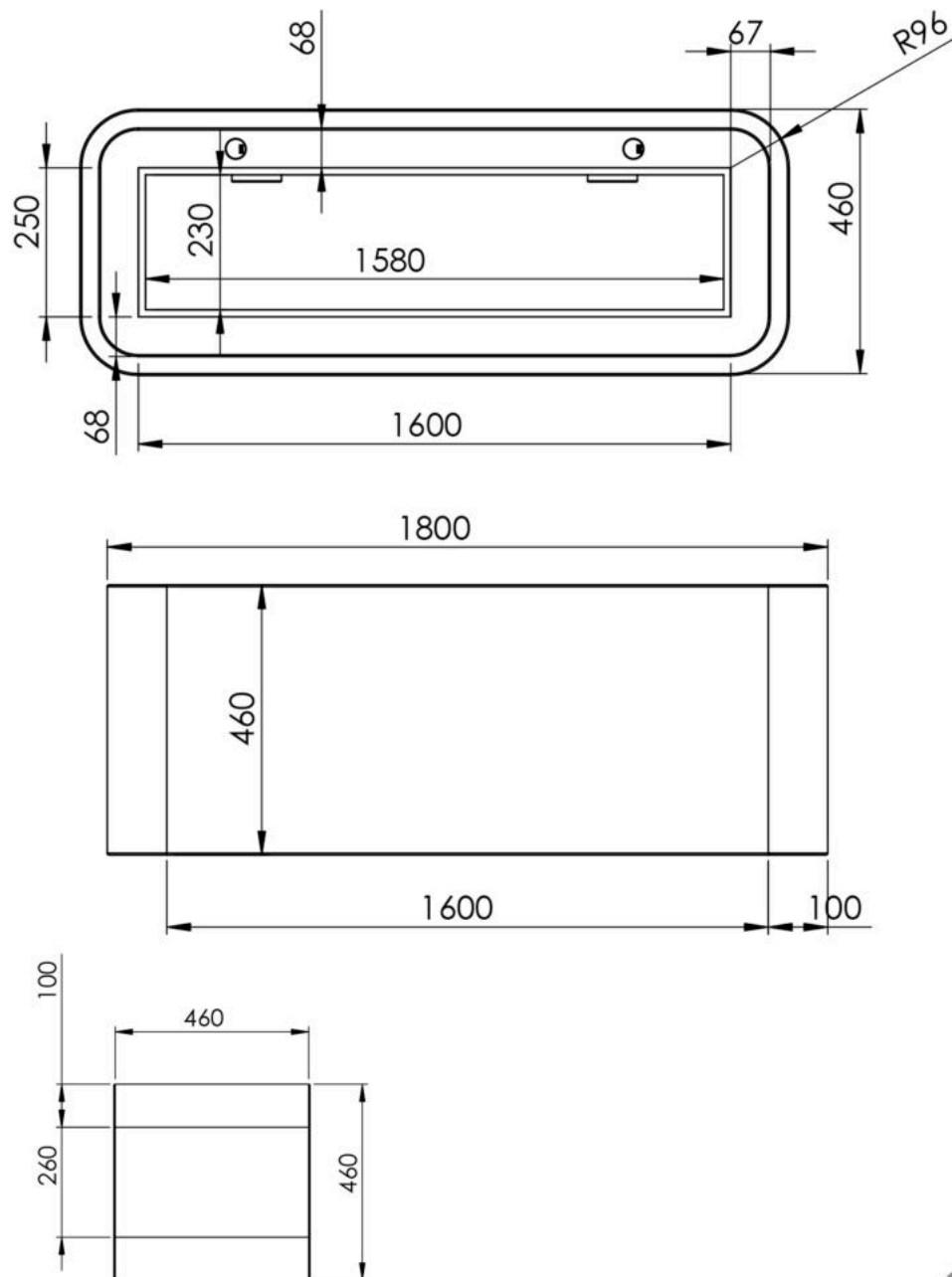
**USB CHARGER**  
Charge your phone via USB. 24 hours per day

## Characteristics

<b>Model</b>	WYC1902	Appearance	
<b>Size</b>	L-180, W-46, H-46		
<b>N.W.</b>	55KG		
<b>G.W.</b>	70KG		
<b>Certificate</b>	CE ISO		
<b>Function</b>	In sunlight condition, product will charge build-in Li-ion battery by solar panel, and charge cell phones by cables simultaneous. Without sunlight condition, product will charge cell phone by its built-in battery.		
<b>Material</b>	Stainless steel #201 + WPC WOOD		
<b>Solar panel</b>	Monocrystalline silicon with Templeted Glass		
<b>Solar power</b>	90W		
<b>AC power</b>	Optional		
<b>Controller</b>	MPPT		
<b>Battery type</b>	Li-ion battery/Li-op4 optional		
<b>Working temp.</b>	-20C to 65C		
<b>Battery capacity</b>	12V/55Ah - Option 110AH		
<b>USB charger</b>	4PC - 5V/9V/12V (2.1A) Automatically applicable to all requirements.		
<b>Wireless charger</b>	2PC - Qi Standard		
<b>LED light</b>	LED Spot light		
<b>Advertising display</b>	Led Light Box/Led Screen: Optional		
<b>WiFi router</b>	4G/International router		
<b>Bluetooth/speaker</b>	5V/12V		
<b>Cooling System</b>	Cooling Ventilator System: Optional		
<b>Sensors (Optional)</b>	Light, Humidity, Temperature, Water, CO2, Noise, PM2.5, Counter, Alarm		
<b>App Adlis Smart</b>	App + Tablet 10": Optional		
<b>Adlis Smart Platform</b>	Smart Platform + Subscription / Contact Adlis Smart: sales@adlissmart.com		
<b>Warranty</b>	1 Year		
<b>Battery notice</b>	The controller works well above -40°C , while the working efficiency of battery is getting less and less under 0°C, when -10°C it already doesn't work. Yet after the temperate rises back to over 0°C, it will work again. Therefore, in very cold winter the chargers on bench don't work. In good sunshine, the battery is fully charged in about 7-8 hours.		




**ADLIS**   
**WEIYIN**



## A. Description and function:

In sunlight condition, product will charge build-in Li-ion battery by solar panel, and charge cell phones by cables simultaneous. Without sunlight condition, product will charge cell phone by its built-in battery.

## B. Intended use:

 This product is intended for outdoor use only. Please place it on a flat floor and away from any shade. If in the shade, the solar panel will not function effectively.

## C. Package Content:

## D. Safety instructions:



### ATTENTION!

We recommend that a qualified person use it to assemble and disassemble the product to avoid any risk of product deterioration.

The product is self-service, that is, users do not need help to charge their device.

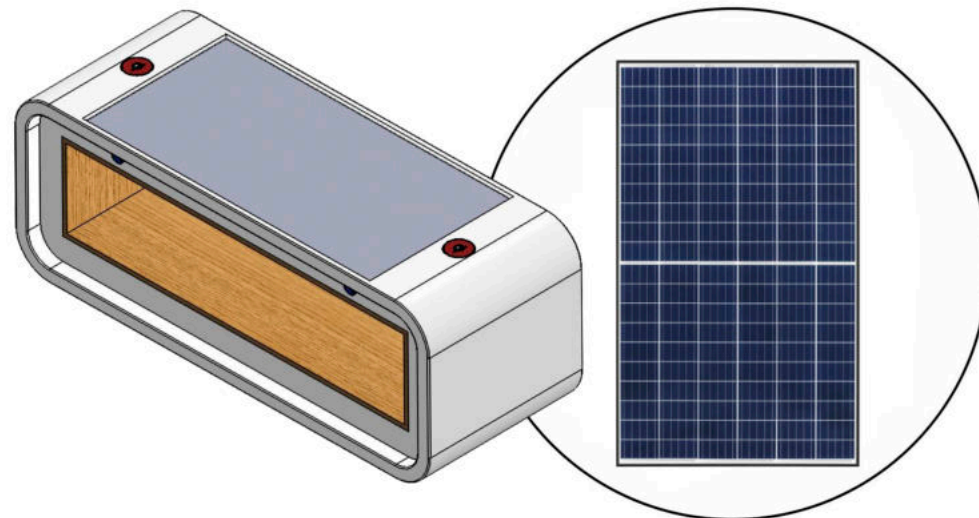
Read carefully and follow the safety instructions for care, maintenance, storage and transport.

We recommend using the original packaging for transportation to protect the product from dust and moisture.

- We are not responsible for damage to persons or property caused by improper installation or operation not described in this guide. Any alteration and / or modification of the product or its accessories immediately voids the warranty.

## E. Connection and operation:

SOLAR PANEL: 90W  
BATTERY: 12V/55Ah



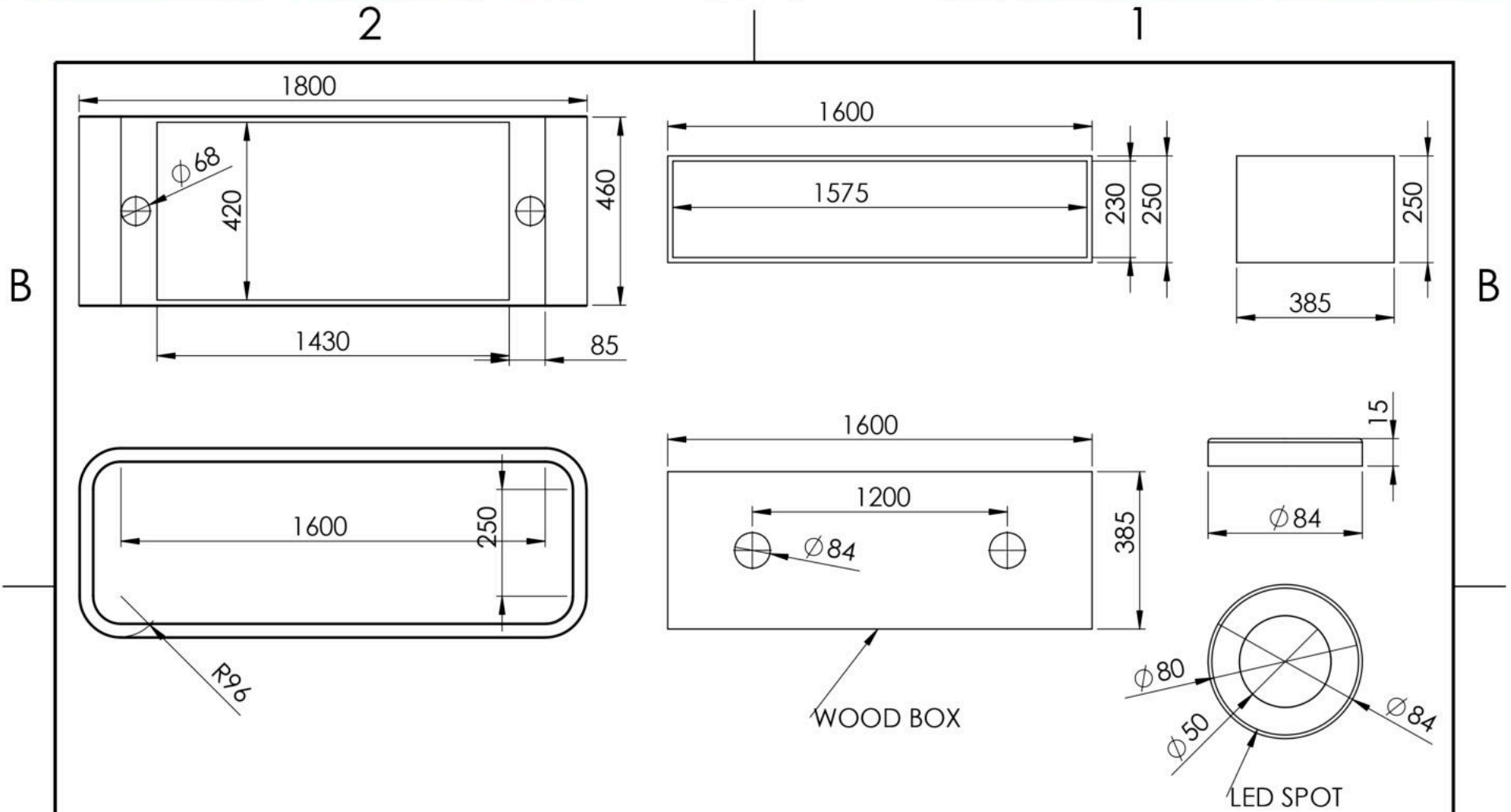
## F. Care, maintenance, storage and transport:



### WARNING!

We recommend that a qualified person use it to assemble and disassemble the product to avoid any risk of product deterioration.

- We grant a conditional warranty of 2 year for this device from the purchase data.
- The warranty also does not cover accidental damage or vandalism caused to the product.
- The warranty also does not cover the charging cables. We have no control over how users treat cables once the product is installed on your premises; replacement cables can be purchased at an additional cost.
- We are not responsible for damage to persons or property caused by improper installation or operation not described in this guide. Any alteration and / or modification of the product or its accessories immediately voids the warranty.



<p><b>PROPRIETARY AND CONFIDENTIAL</b></p> <p>THE INFORMATION CONTAINED IN THIS DRAWING IS THE SOLE PROPERTY OF &lt;INSERT COMPANY NAME HERE&gt;. ANY REPRODUCTION IN PART OR AS A WHOLE WITHOUT THE WRITTEN PERMISSION OF &lt;INSERT COMPANY NAME HERE&gt; IS PROHIBITED.</p>			UNLESS OTHERWISE SPECIFIED:		NAME	DATE	ADLIS/WEIYIN		
			DIMENSIONS ARE IN INCHES TOLERANCES: FRACTIONAL ± ANGULAR: MACH ± BEND ± TWO PLACE DECIMAL ± THREE PLACE DECIMAL ±	DRAWN			TITLE:		
			INTERPRET GEOMETRIC TOLERANCING PER:	CHECKED					
			MATERIAL	ENG APPR.					
			FINISH	MFG APPR.					
	NEXT ASSY	USED ON		Q.A.			SIZE	DWG. NO.	REV
	APPLICATION		DO NOT SCALE DRAWING	COMMENTS:			<b>A</b>	<b>WYC1902</b>	
							SCALE: 1:20		SHEET 1 OF 1



**ADLIS™ / WEIYIN**



**ADLIS™ / WEIYIN**



**ADLIS™ / WEIYIN**



**ADLIS™ / WEIYIN**



Brands and Numbers	Property Description	UNITS	UNITS/ CTN	CTNS	G.W.(kgs)	N.W.(kgs)	MEAS (CM)
ADLIS/WEIYIN STREET BENCH	<b>STREET BENCH WYC1902</b>	<b>1</b>	<b>1</b>	<b>1</b>	<b>90</b>	<b>70</b>	<b>190*56*56</b>
<b>Total</b>		<b>1</b>	<b>1</b>	<b>1</b>	<b>90</b>	<b>70</b>	<b>1.25BCM</b>



REMARKS: ALL PRODUCTS ARE PACKED IN POLYWOOD BOXES.

This packing detail is for 1pc sample, for bulk order the detailed packing details will be provided before shipment.

# ADLIS

SMART BENCH  
SMART CONTAINER  
SMART HOME



**We Don't Make The Future,  
We Make The Future Better**

VPL PRODUCTION LTD  
ADLIS SMART BENCH/CONTAINER/HOME  
[www.adlis.co.il](http://www.adlis.co.il)

Shenzhen Weiyin Technology Co.,Ltd  
[www.solarbenchchina.com](http://www.solarbenchchina.com)

W E I Y I N

## WEIYIN TECH.

### Jane Wu

Chief Business Development smart Furniture  
[sales@solarbenchchina.com](mailto:sales@solarbenchchina.com)  
86 13823126631

## ADLIS SMART

### Yoni Osher

Chief Business Development smart Furniture  
[yonio@adlis.co.il](mailto:yonio@adlis.co.il)  
972(0)523553094

### Yehiel (Hilik) Bar

Chief International Business & Delop.  
[Yehiel@adlis.co.il](mailto:Yehiel@adlis.co.il)  
972(0) 506206688

### Herman Spak

Commercial Marketing manager  
[herman@adlis.co.il](mailto:herman@adlis.co.il)  
972(0) 506927918

### Gad levi

Architect/engineer Smart Container  
[gad@adlis.co.il](mailto:gad@adlis.co.il)  
972(0) 548462648

### Nicolas Senerman

Commercial Director for Sud America  
[nicolas@adlis.co.il](mailto:nicolas@adlis.co.il)  
972(0) 584967961

### Asaraf Doron

Technical manger  
[doron@adlis.co.il](mailto:doron@adlis.co.il)  
972(0) 544260468

### Rami Einav

Commercial Director Smart Home  
[rami@adlis.co.il](mailto:rami@adlis.co.il)  
972(0) 506206688

A

D

L

I

S

•

## ADLIS SMART

Aaron donadey  
CEO of Vpl-production Ltd  
Adlis Smart Department  
[aaron@adlis.co.il](mailto:aaron@adlis.co.il)

## WEIYIN TECH.

Chun Sheng Hu  
CEO of WEIYIN  
008613823601807